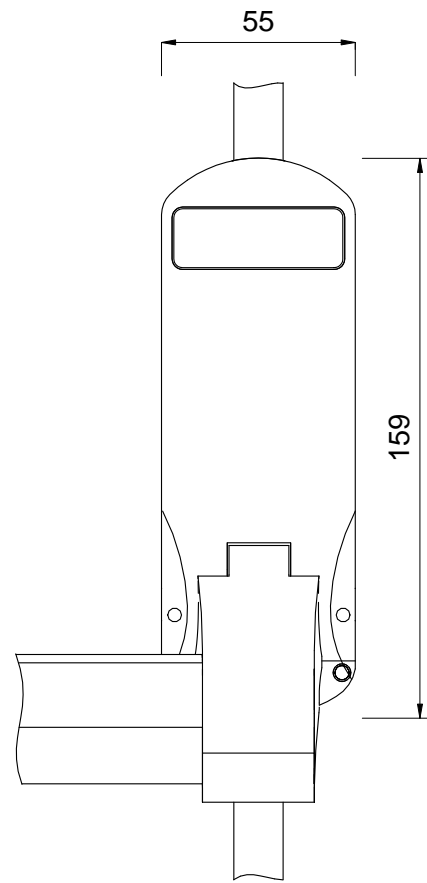
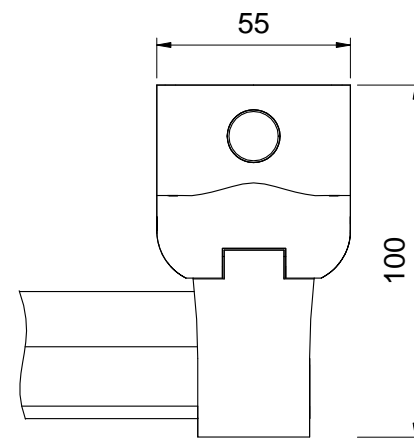


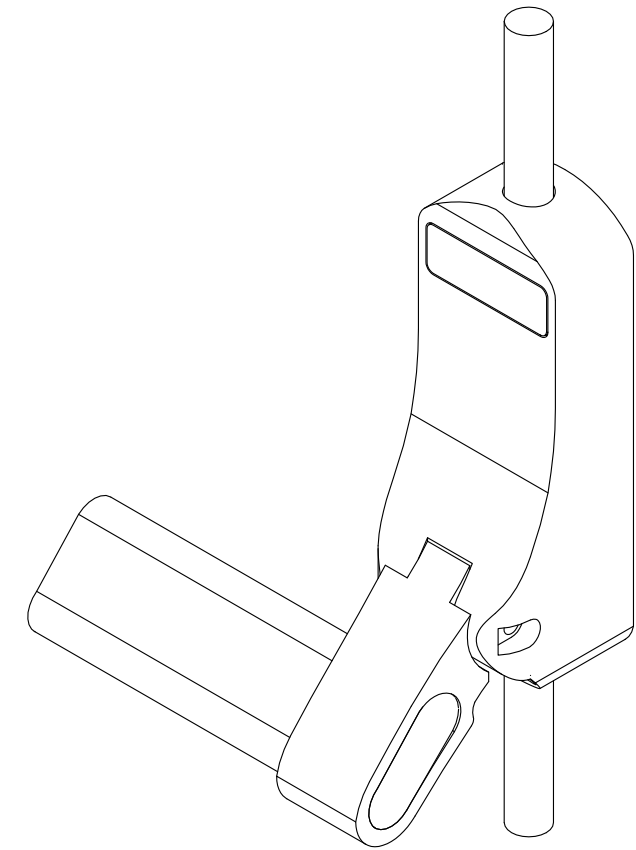
**02 Side View**  
1 : 2



**03 Front View**  
1 : 2




**04 Top View**  
1 : 2



**01 3D View**

Surface Mounted Panic Bolt		
Item	Description	Finish Option
KE-5620	56 Series Surface Mounted Panic Bolt c/w top and bottom locking points	Silver, White or Black, Stainless Steel or Brass Effect

Rev	Date	Description	Initial
Title : KE-5620			
Contract : KCC Architectural			
Scales are as shown, original drawing size A3			
		Creator : IN	
		Checked by : SQ	
		Scale : N.T.S	
		First issue : 04-01-2020	
		Project No :	
DRG No :		Rev	